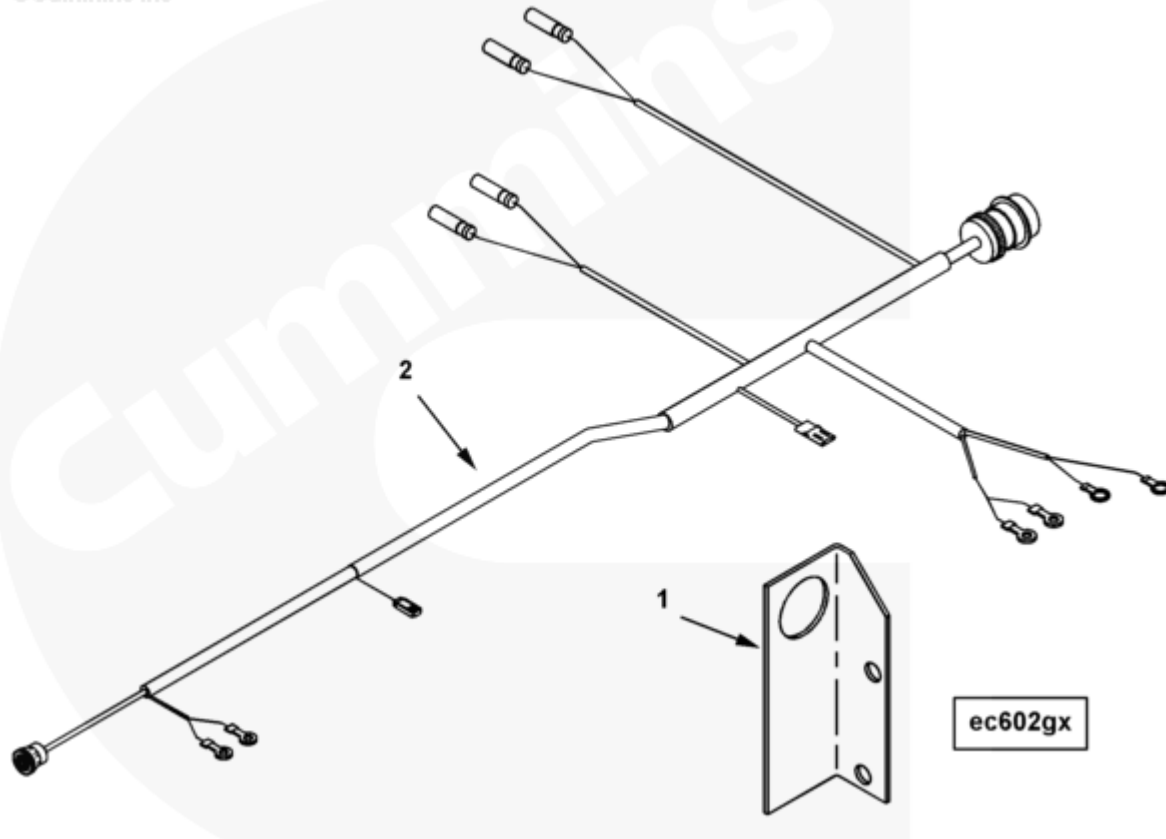




## Parts Catalog - Option Detail

Electronic Parts Catalog - Option Detail				
Option	Group	Graphic	Film Card	Date
EC6080-04	15.08	ec602gx	K38	31-JAN-05
<b>Engines</b>	GTA38, K38, KTA38GC CM558, QSK38 CM2150 K106, QSK38 CM2150 MCRS, QSK38 CM850 MCRS			

©Cummins Inc



[SMALL](#) | [MEDIUM](#) | [LARGE](#)

Cart	Ref No	Part Number	Part Description	Required	Remarks
<a href="#">View My Cart</a>					
		<a href="#">EC6080-04</a>	Wiring Harness		<a href="#">Wiring harness...(More)</a>
					marine OEM on engine mounted
					KV38 wiring harness.
					Used to connect all
					sensor/switches to the HD/hhp
					instrument panel set.

					Supplied with 21 pin
					connector mounting bracket.
					This harness is not centry
					compatible. Use EC8366 for
					centry applications.
<input type="checkbox"/>	1	<a href="#">4917962</a>	Wiring Retainer Bracket	1	
<input type="checkbox"/>	2	<a href="#">4070056</a>	Wiring Harness	1	

© 2019 Cummins Inc., Box 3005, Columbus, IN 47202-3005 U.S.A.  
Terms of Use and Disclaimers | Recommended System Requirements  
Need Assistance? Please click on the Contact Us button in the top right corner of any page.